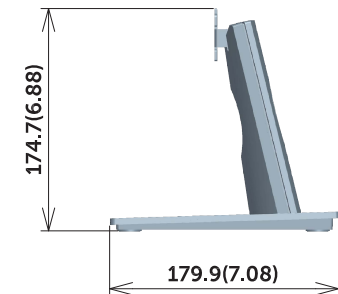
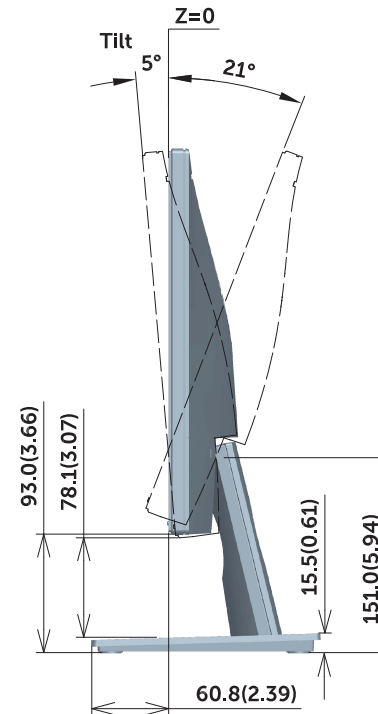
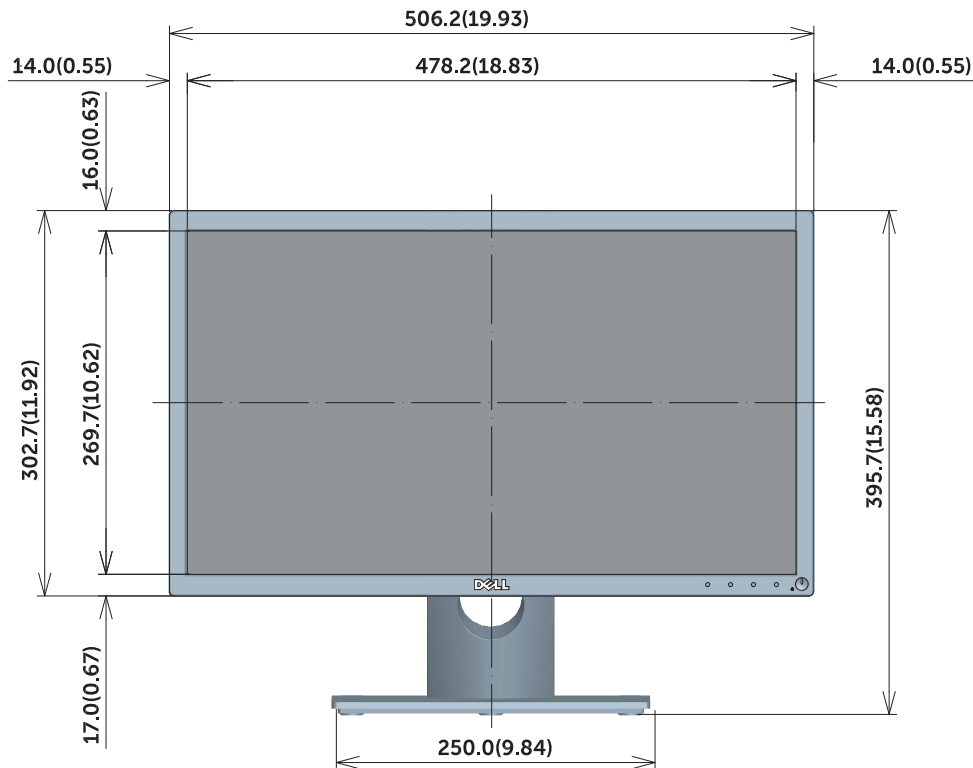
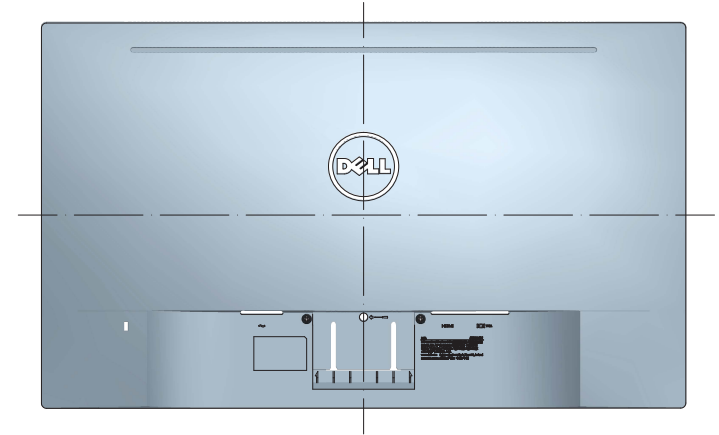
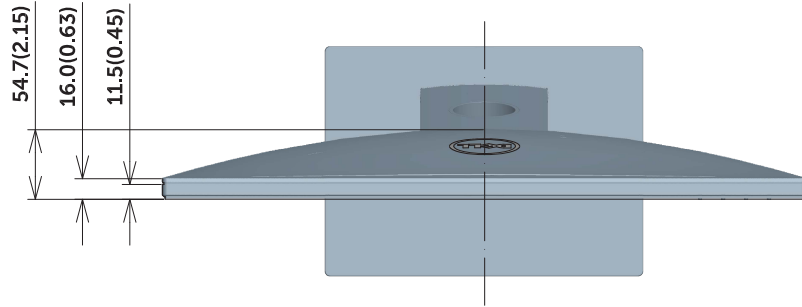


# SE2216H/SE2216HM Outline Dimension

Unit : mm(inch)  
Dimension : Nominal  
Drawing : Not to scale



# SE2216HV Outline Dimension

Unit : mm(inch)  
Dimension : Nominal  
Drawing : Not to scale

